

INSTRUCTIONS



Accessories for **FUJICA Single-8 Z800** **T-GRIP**

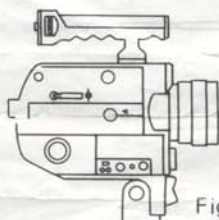
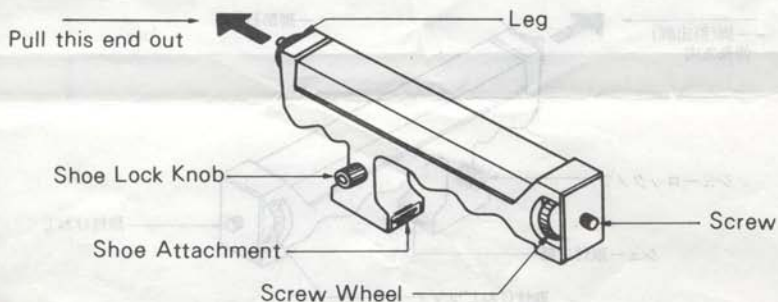


Fig. 1

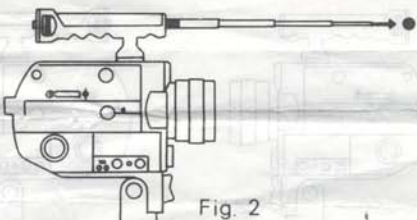


Fig. 2

How to Use It as a Carrying Grip

Just mount it on the camera shoe as shown in Fig. 1.

How to Use It as a Measuring Rod for Taking Close-ups

- 1 Stretch the leg out as far as it will go.
- 2 Push the butt end back up to the black line.
- 3 The distance from the tip of the leg to the film plane now measures 49cm. This is the precise shooting distance with a close-up attachment lens on the camera. (Fig. 2)

How to Use It as a Monopod

Screw it into the camera tripod socket, slide the leg out as far as it will go and turn the butt end slightly to lock it in place. To adjust the height, just press the joint knobs in and slide one section into the other.

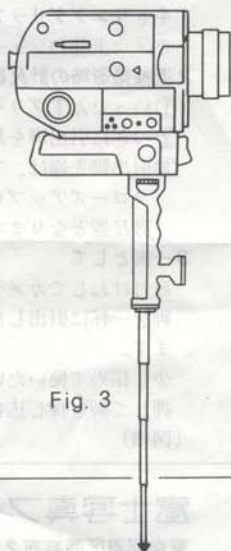


Fig. 3

FUJI PHOTO FILM CO., LTD.

26-30, Nishiazabu 2-chome, Minato-ku Tokyo 106, Japan